

User's Manual

B6S SERIES OF SUPER HYGIENIC WHIRLPOOL BATHTUBS

Version:ZWSMS.B6S.01

INDEX

SAFETY NOTES	01
PRODUCT DESCRIPTION	02
SUGGESTED WAY TO USE THE PRODUCT	03
MAINTENANCE	03
PRODUCT PARAMETER	04
INSTALLATION NOTES	05
COMPONENTS ILLUSTRATION	08
HOW TO OPERATE	12
TROUBLE SHOOTING	14

SAFETY NOTES



1. The Power supply must be installed according to the local standards and with GFCI(Ground Fault Current Interrupt). Test the GFCI before using to ensure it works well.
2. The earthing for electrical appliances should be connected permanently to the fixed earth wire.
3. To avoid electric shock, replace of power supply wire should be done by professional electrician or distributor. The user should not change it by himself.
4. To avoid electric shock, no extending power supply should be used. The socket should be in right position. Broken electric wire should be changed on time.
5. The earth wire for massage pump and air pump should be well-earthed.
6. It's forbidden to touch pump crust when the pump is on.
7. It's forbidden to make any changes, adding or cutting to the products.
8. It's forbidden to using the product after drinking or taking hypnotic medicine.
9. Children should use the product with the parents.
10. When the whirlpool bathtub is working, keep the hair far away from the inlet of the water pump to prevent from the accident of asphyxiation.
11. Adjust the low water temperature to high temperature slowly to avoid scald when the water supply is on.
12. Don't put hot water more than 95°C into the bathtub. Otherwise, the product surface might be damaged.

PRODUCT DESCRIPTION

Hydro-massage

According to siphonic theory, the water massage system mixes air with water with high speed to generate pulsant water. Water massage has perfect relaxing effect.

Micro-nano Bubble Bath

More than 80 micro-nano bubbles with diameter less than 5 μ in an area of every cubic millimeter will be generated within 3 minutes after the system is started. Micro-nano bubbles make perfect cleaning of skin pores(the diameter of pores is around 25 μ) and increase the amount of Oxygen to the skin. After bathing in micro-nano bubble bath for a few times, the skin will be more sheeny and be rich in flexibility.

Air Bubble Bath

Air is input into water through special air pump to generate air bubble for air massage. Air bubbles will create slight impact to human skin and bring pleasant sensory stimulation When they hit body skin.

Chromatherapy light

Chromatherapy light creates different environment by different light colors to achieve superb psychologically regulating and soothing effect.

SUPER-HYGIENIC Disinfection

In normal whirlpool tubs, there is usually water remaining in the plumbing system even though the tub is drained. Harmful bacteria will grow in remaining waste water, which has become a big headache in the whirlpool industry. The Super-Hygienic Bacteria-free whirlpool tubs make use of worldwide leading technology. Most innovative new jets are used, which will be closed automatically when the disinfection function is started. All the piping system will be filled with disinfection liquid and high density of Ozone for thoroughly disinfection, which completely solve the industrial headache of disinfection in piping system.It's the new generation of bacteria-free whirlpool bathtub. By starting disinfecting function before and after using whirlpool bathtub, it's guaranteed that the whole piping system is 100% bacteria-free.

Heater

To maintain water temperature.

Features	B6S.1S B6.1S	B6S.2SS B6.2Ss	B6S.2SF B6.2SF	B6S.2SN B6.2SN	B2.N	B2.F
Micro-Nano Bubble Bath	X	X	X	●	●	X
Hydro-massage	●	●	●	●	X	X
Air bubble bath	X	X	●	X	X	●
Chromatherapy	●	●	●	●	●	●
Super-Hygienic Disinfection	○	○	○	○	X	X
Heater	*	*	*	*	X	X

X :means no such function or part

● :means standard function or part

* :means optional function or part

○ :means the function is included in B6S, but not in B6

SUGGESTED WAY TO USE THE PRODUCT

- 1. Take shower first:** Skin pores will expand when it is heated. If the skin surface is not well-cleaned, dirt will penetrate to the depth of pores.
- 2. Enjoy hydro-massage:** Warm water flow could expand blood vessel and enhance blood circulation, speed the process of metabolizing. In the meantime, it speeds the process of moisture running out of the body. It is suggested to take some drink every 15 minutes.
- 3. Enjoy micro-nano bubble bath:** Do not take shower with cold water before enjoying micro-nano bubble bath. It is better to have water with not less than 38°C in the bathtub. The micro-nano bubble could not make perfect cleaning of skin pores because water with low temperature will get skin pores shrink.
- 4. It's better to use clean water for shower, hydro-massage or micro-nano bubble bath.** Otherwise, impurity in the water will go into skin pores which is not good for health.
- 5. Use water with low temperature for shower after bath to help the skin pores shrinking.** Or use cold water and warm water for shower by turns, depending on individual habits. Cardiovascular disease sufferer should not take shower in this way.

MAINTENANCE

- 1. Bathtub cleaning:** Clean with normal cleaning liquid. It's forbidden to use cleaning liquid with strong acid or strong base to clean the Bathtub.
- 2. How to repair scratch :** First use 2000 # sandpaper to polish with water, then use soft cloth to polish it with toothpaste until the scratch is level.
- 3. Components cleaning:** Use soft cloth to clean it with cleaning liquid. It's forbidden to use rough and hard object for cleaning to avoid scratch.
- 4. Don't put boiled water directly to the bathtub.** Otherwise, the product surface might be damaged.

PRODUCT PARAMETERS

Rated Power: 3.0Kw2.5Kw2.0Kw1.5Kw1.2Kw
0.9Kw___ Kw

Rated Voltage: Single Phase AC220VDouble Phase AC240VSingle Phase AC110V

Rated Electric Current: ___ A

Frequency: 60Hz 50Hz

Power Supply Location: on wall on floor

Rated Water Pressure: 0.2--0.6MPa

Water Supply: DN15 tie-in, hot/cold water

Water supply Location: on wall on floor

Diameter of Drainage Pipe: $\phi 50$ (drainage pipe supplied with product)

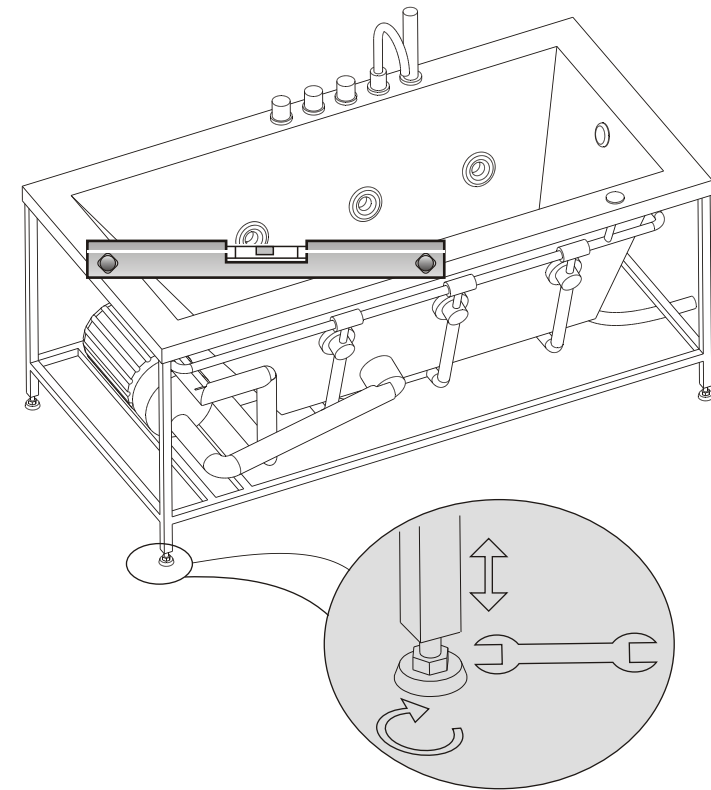
Length of Drainage Pipe: 1000mm (the maximum stretched length)

*Electrical appliance parameters on nameplate should be taken as final.

INSTALLATION NOTES

●Adjust the tub to horizontal level

1. Put the tub lightly on ground.
2. Adjust the legs for tub to get the top surface to horizontal line and make sure the legs touch the ground.

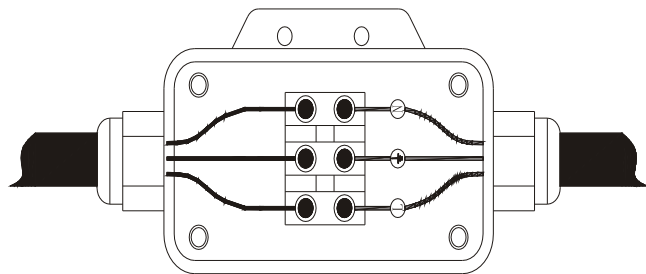
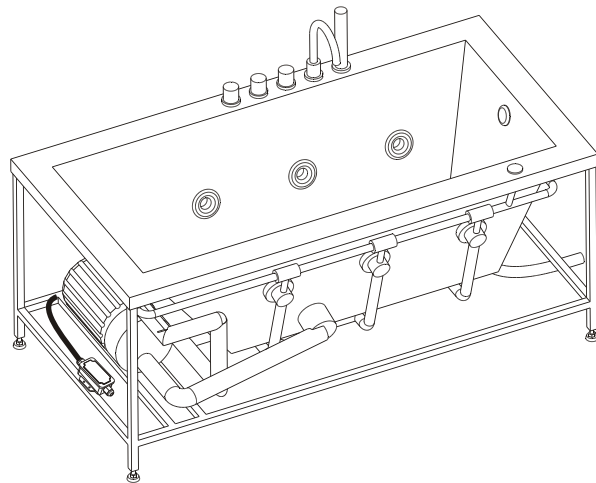


INSTALLATION NOTES

● Power supply wire installation:

Open power supply box and connect power supply wire. Get the earthing wire connected correctly. ⚠

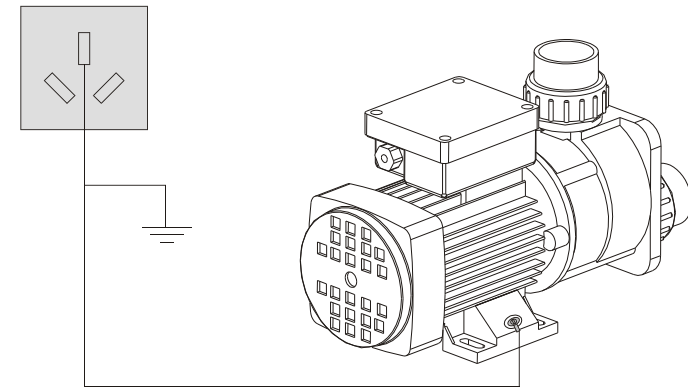
Notes: The power supply wire must be in accordance with local safety standard. The section diameter of power supply wire should be not less than 2.5mm.



INSTALLATION NOTES

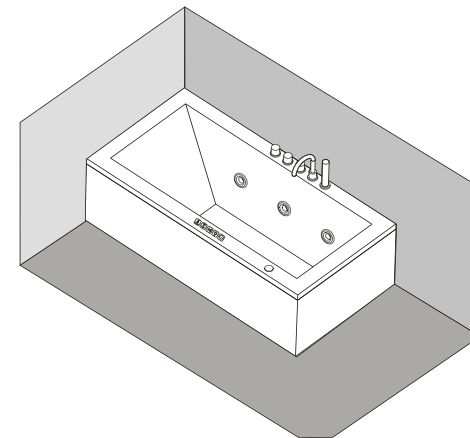
● Earth wire installation:

Get the earth wire on the pump or air pump connected to earth wire of power supply permanently. ⚠



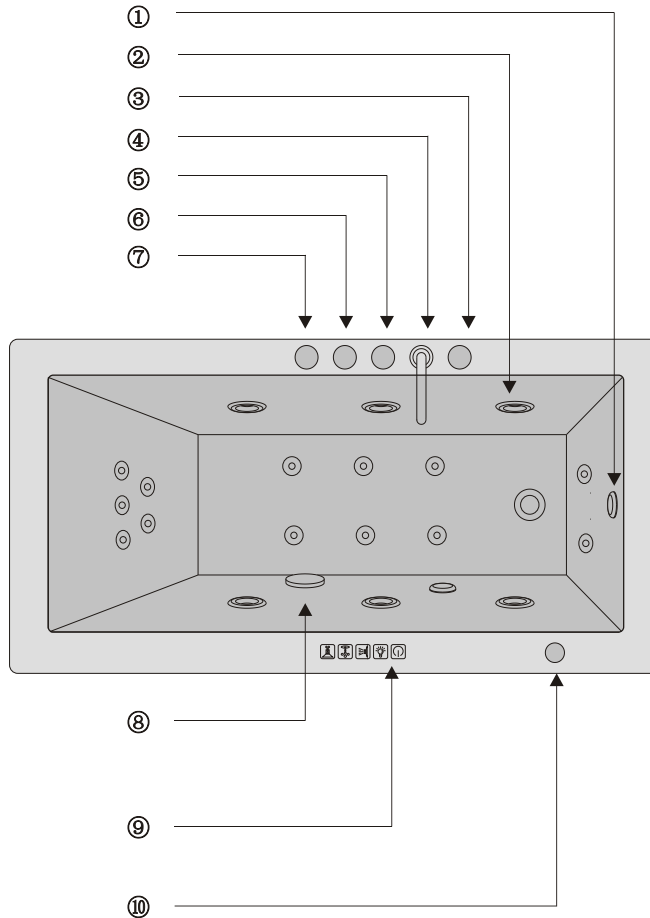
INSTALLATION NOTES

● Use silicone to seal the gap between the bathtub edge and the wall.



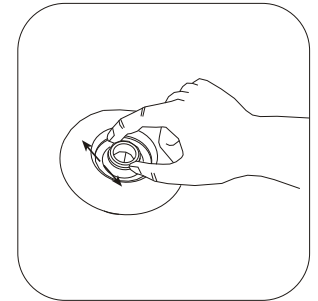
COMPONENTS ILLUSTRATION

- ① Drainage ② Hydro-massage jet
- ③ Hand shower ④ Water inlet
- ⑤ Hot water adjusting valve ⑥ Hand shower / Water inlet Diverter
- ⑦ Cold water adjusting valve ⑧ Suction net
- ⑨ Control panel
- ⑩ Cleaning liquid inlet



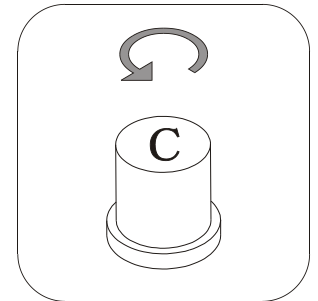
HYDRO-MASSAGE JET ADJUSTING

The direction of the hydro-massage jet could be adjusted according to your need as long as the adjustment is done within its adjusting range.



COLD WATER ADJUSTING

Turn cold water adjusting valve to adjust the cold water flux and the mixed water temperature. Turn off the valve after using.



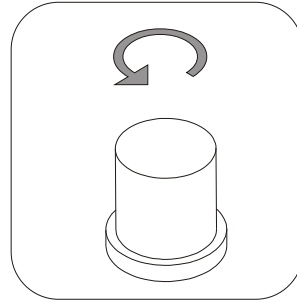
HOT WATER ADJUSTING

Turn hot water adjusting valve to adjust the hot water flux and the mixed water temperature. Turn off the valve after using.



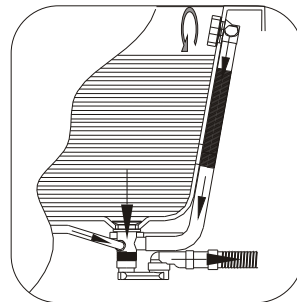
HAND SHOWER/WATER INLET DIVERTER

Turn this valve to select water inlet from hand shower or from waterfall.



DRAINAGE

Turn the handle for drainage to drain out water in the tub and the pipes.



TO ADD DISINFECTION LIQUID

Dilute the disinfection liquid with 2 times of clean water (It will improve the fluidity of disinfection liquid after dilution. And it also prevents the pipes from jam to achieve better clean effect).

Unscrew the cover of cleaning liquid inlet, and pour in about 2 liters of diluent disinfection liquid. It indicates it's full when the bottom light twinkles in yellow color.

When you start the disinfection system, it indicates the disinfection liquid is empty if the bottom light twinkles in red color. Please make it up in time. The system will skip adding the disinfection liquid automatically and clean the piping system with clean water and Ozone for disinfection. (Notes: some models don't include the function of adding disinfection liquid. In that case disinfection is done with Ozone in high density).

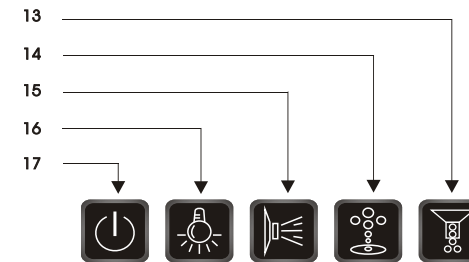


BUTTONS ON CONTROL PANEL

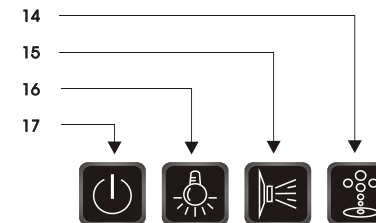
Control Panel

B6S.**

- 13 Disinfection
- 14 Hydro-massage modes
- 15 Hydro-massage on/off
- 16 Chromatherapy light
- 17 Power on/off



B6.**



B2 CONTROL PANEL

For B type bathtub: On/off for Nano-bubble

For F type bathtub: On/off for air bubble



HOW TO OPERATE B6S, B6 CONTROL PANEL



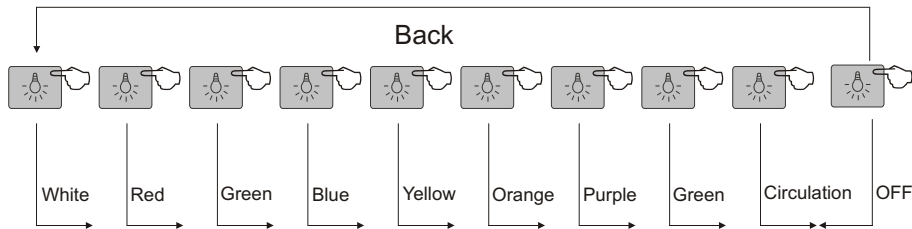
TO TURN ON THE SYSTEM: Press this button for more than 3 seconds to start the system and the Chromatherapy light will be on at the same time. The system will be shut off automatically after 60 minutes.

TO TURN OFF THE SYSTEM: Press this button for more than 3 seconds to shut off the system while it is on.

AUTOMATIC DRAIN AFTER THE SYSTEM IS SHUT OFF: Bathtub with pop-up drain will automatically turn on the draining magnetic valve for 30 minutes when the water level is below the position of water level sensor, to drain the waste water in pipes. So do not cut off the power supply when you shut off the system. Bathtub with overflow drainage will drain waste water by mechanical valve. So do not turn off the drainage even if the water in bathtub has drained, or the waste water in pipes can not be drained completely.



Press this button to control the color of chromatherapy light.



Hydro-massage on/off

B6. 1S Type: Pump on/off

B6S. 1S Type: Pump on/off

B6S. 2SS Type:

First press to this button: Pump 1 is on.
Second press to this button: Pump 2 is on.
Third press to this button: Pump 1 and pump 2 are both on.
Fourth press to this button: All the pumps are off.

B6S.2SF Type:

First press to this button: Water pump is on.
Second press to this button: Air pump is on.
Third press to this button: Water pump and air pump are both on.
Fourth press to this button: All the pumps are off.

B6S.2SN Type:

First press to this button: Water pump is on.
Second press to this button: Micro-nano bubble system is on.
Third press to this button: Both water pump and micro-nano bubble system are off.



Hydro-massage mode control

B6.1S: When hydro-massage is on, the powerful mode is on as default mode.

Press button again and soft hydro-massage mode is set.

Press button again and pulsating hydro-massage mode is set.

Press button again and the system gets back to powerful hydro-massage mode.

B6S.:** When hydro-massage is on, the powerful mode is on as default mode.

Press button again and pulsating hydro-massage mode is set.

Press button again and the system gets back to powerful hydro-massage mode.



Disinfection

Manual disinfection function

Manual disinfection function can be started before enjoying hydro-massage. Press button for a few seconds until the bottom lamp changes to blue color, then the system starts disinfection program. (Disinfection process: 1) First the system adds disinfection liquid to the piping system. 2) Immediately the system starts to add clean water and Ozone. Hydro-massage jets are automatically closed, only except the jets positioned at the end of the piping system. So the whole piping system is filled with cleaning liquid and high density of Ozone to achieve perfect disinfection effect. 3) System continues to add clean water to clean the pipes, and add high density of Ozone at the same time, until the whole cycle of disinfection is complete.

Automatic disinfection function

Each time after draining the bathtub, the system will start the automatic disinfection process once the water level falls below the water level sensor. (Disinfection process: 1) First the system adds the cleaning liquid to the piping system 15 minutes after the water level falls below the water level sensor. 2) The system starts to add clean water and Ozone. Hydro-massage jets are automatically closed, only except the jets positioned at the end of the piping system. So the whole piping system is filled with cleaning liquid and high density of Ozone to achieve perfect disinfection effect. 3) System continues to add clean water to clean the pipes, and add high density of Ozone at the same time, until the whole cycle of disinfection is complete.

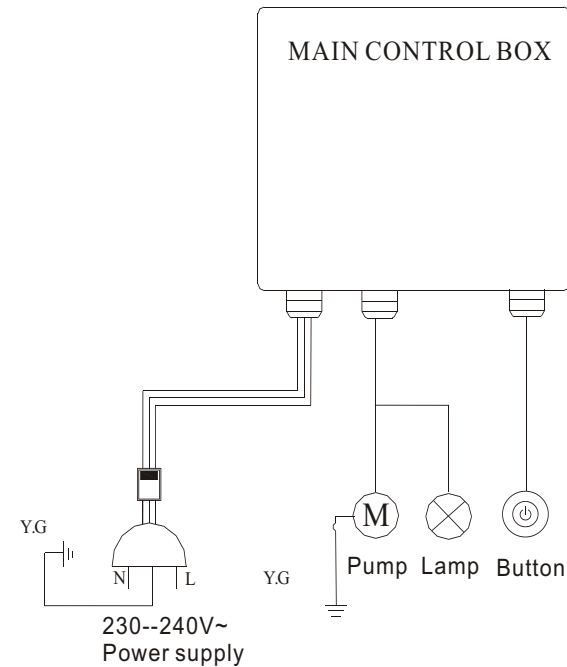
No other functions is available when the system is at disinfection status. Automatic disinfection function can be turned off/on by pressing mode control button for 4 seconds.

TROUBLE SHOOTING

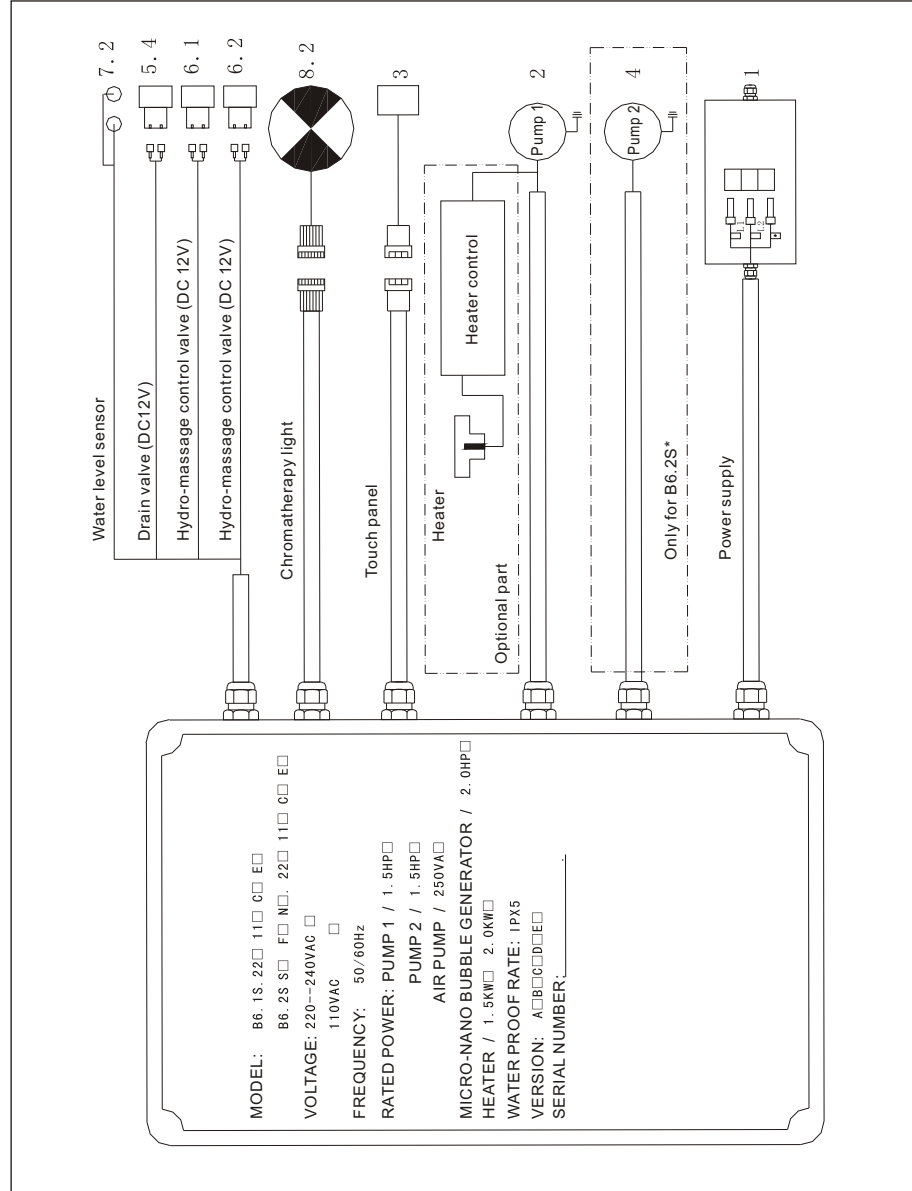
Problems	Cause	Solution
The bathtub shakes or becomes noisy (The noise is more than 68dB under normal condition)	1. One of the tub leg fails to touch the floor.	Adjust the legs to make all the legs touch the floor.
	2.The pump is loose.	Get the pump tightened.
	3.The pump is started without water.	Check whether the suction is jammed or suction pipe is loose.
	4.The pump is wrong.	Get the pump replaced.
The pumps works well.But there is no water from jets or water flux from jets is very small.	1.The suction net is blocked.	Get the suction net cleaned.
	2.The solenoid valve for hydro-massage mode control is damaged so there is air leakage from water inlet of pump.	Check the solenoid valve for hydro-massage mode control.
	3.There is air leakage from water inlet elbow for pump.	Check the water inlet elbow for pump.
	4.The pump impeller is loose.	Get the pump impeller tightened.
	5. Air is not exhausted completely in pump.	1) Check the check valve on suction pipe. 2) Check the air release valve connected between the water outlet pipe of pump and the air pipe for jets.
Pump or air pump does not work or stops working for 5 minutes	1.No electricity.	Check electricity supply.
	2.Water level is too low	Get more water into the bathtub. At least the water level should be higher than the water level sensor.
	3.No signal is shown on control panel.	The communication line is loose. Get it tightened.
	4.Signal is shown there and water level is ok. But the pump/air pump does not work.	Get the control panel replaced. Get the pump replaced.
	5.The thermal switch inside pump is off.	Restart it after 1 hour. If it still stops after some time, the pump may be overloaded. Get professional service people to solve it.
The Chromotherapy lamp does not work.	1.The Chromotherapy lamp is broken.	Get the Chromotherapy lamp replaced.
	2.The connecting wire for Chromotherapy lamp is loose.	Get professional service people to solve it.
	3.The control panel is broken.	Get the wire well-connected.

Problems	Cause	Solution
Water inlet flux is small	1.Water pressure or flux from water supply is low.	Turn the water supply volume valve to maximum.
	2. Water inlet pipe is blocked.	Get the suction net cleaned.
There is leakage from valve.	The sealing gasket is damaged.	Get the sealing gasket replaced.
Not all the jets can be closed automatically when disinfection function is on.	Water supply pressure is too low.	Ideal water supply pressure should not less than 0.3MPA.

WIRING DIAGRAM FOR B2 TYPE CONTROL SYSTEM



WIRING DIAGRAM FOR B6



WIRING DIAGRAM FOR B6S

