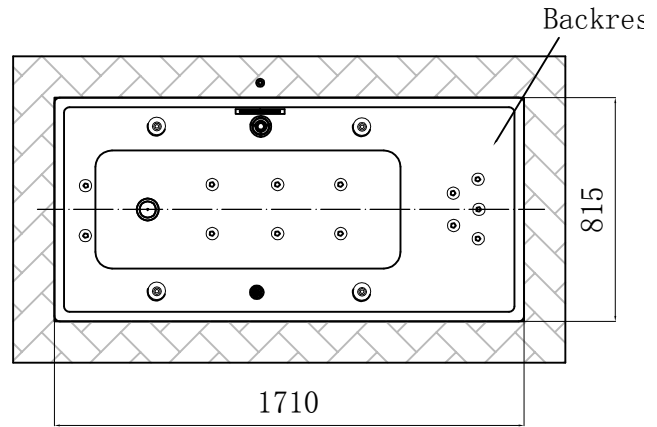
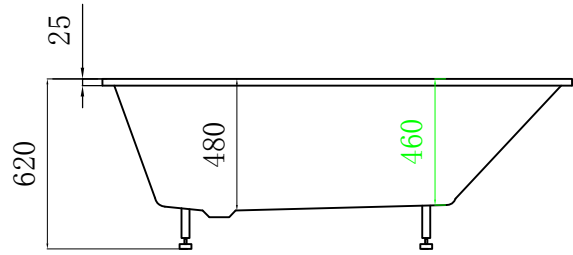


Nautic Longue IV Pro, built-in		Right hand		Without faucet		Size:1710*815*620mm	
--------------------------------	--	------------	--	----------------	--	---------------------	--

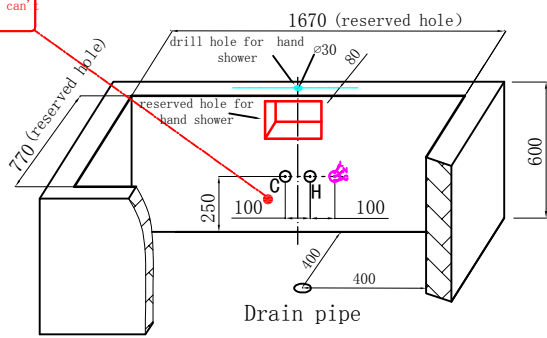
No.	Configuration	Sketch	Unit	Qty
1	HP1.0 pump (220V, 50HZ)		set	1
2	Turbo jet (can be closed)		pcs	4
3	Little jet (can be closed)		pcs	13
4	1.5" suction net (with chromeplate cover)		pcs	1
5	Chromatherapy lamp		pcs	1
6	B8 APP control		set	1
7	Pop-up drain		set	1
8	Stainless steel overflow		set	1
9	Pop-up hand shower		set	1
10	1.5KW heater		set	1



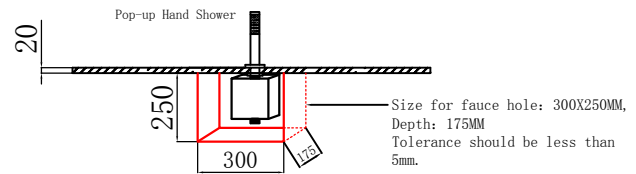
Plane Graph

Product parameter list	
Rared power/voltage/current of pump	1000W/220VAC/4.8A
恒温器额定功率/电压/电流	1500W/220VAC/6.8A
Maximum water consumption(L)	260
Water supply splice	G _{1/2} " metric external thread
Drain pipe	no less than 50mm

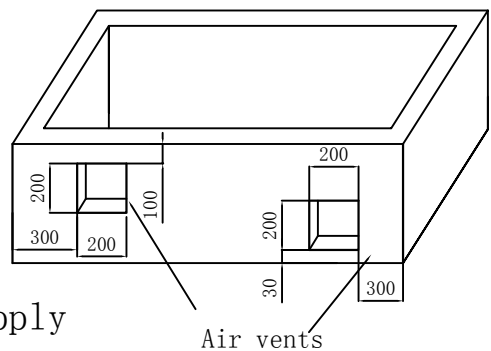
The cold water supply must be connected otherwise the disinfection function can't work properly.



Water & Power Supply



Section View: reserved hole for pop-up hand shower



Air vents

- --- Drain pipe (DIA. ≥ 50 mm, to drain the waste water) should be in same level with the ground.
- --- Cold/Hot water supply (reserved length 30mm, G_{1/2}" metric external thread. H/C means hot and cold water for faucet.
- ⚡ --- Wire (reserved length 200mm, square number of electric wire: 3X2.5mm², earth wire should be connected.)

Noted: The platform of built-in tub with electric parts must have air vent and overflow port (according to the drawing). The drain pipe must be sealed as the maunal. If the tub hasn't been installed according to above requirements the company will not provide after-sales service for the electrical part!